



Bill To:

Company: _____
 Address: _____
 Address: _____
 City/St/Zip: _____
 Attention: _____
 Phone: _____
 Fax: _____
 Email: _____

Ship To:

Company: _____
 Address: _____
 Address: _____
 City/St/Zip: _____
 Attention: _____
 Phone: _____
 Fax: _____
 Email: _____

Confirm Model: VB 605-60-10 VB 607-60-20 VB 727-60-20
 VB 606-42-10 VB 725-60-10 _____

Select HP/Voltage & Electrical Requirements:

| | MODEL | Voltage | Full Load Amps | Power Supply Requirements AMPS |
|--------------------------|------------------|----------------------------------|----------------|--------------------------------|
| <input type="checkbox"/> | 10 HP 3 Phase | <input type="checkbox"/> 208 | 30 | 60 |
| | | <input type="checkbox"/> 230 | 28 | 50 |
| | | <input type="checkbox"/> 460/480 | 14 | 40 |
| <input type="checkbox"/> | 15 HP 3 Phase | <input type="checkbox"/> 208 | 48 | 90 |
| | | <input type="checkbox"/> 230 | 44 | 70 |
| | | <input type="checkbox"/> 460/480 | 27 | 40 |
| <input type="checkbox"/> | 20 HP 3 Phase | <input type="checkbox"/> 208 | 60 | 125 |
| | | <input type="checkbox"/> 230 | 54 | 100 |
| | | <input type="checkbox"/> 460/480 | 27 | 50 |

*****CUSTOMER IS REQUIRED TO SUPPLY A FUSED DISCONNECT AND 12' PIGTAIL*****

DELIVERY

What is your required delivery date? ____ / ____ / ____

Do you require REI to deliver? Yes No

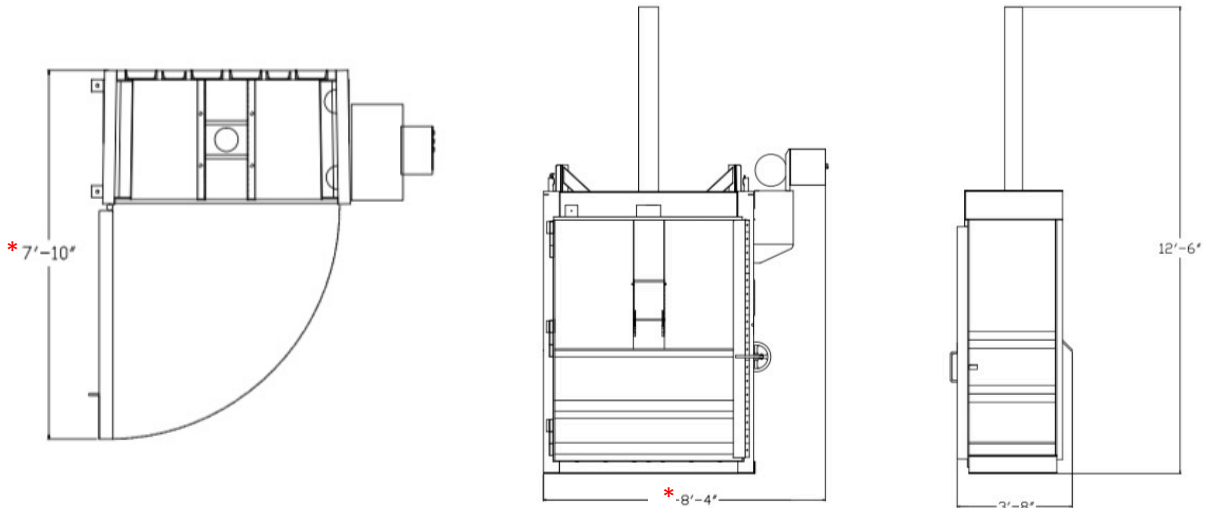
Do you have a Loading Dock? Yes No

Do you have a 5,000lb capacity Forklift? Yes No

Do you require Baling Wire? Yes No

How many bundles?
 (1 Bundle is \$89 and makes 50 Bales)

FINAL DELIVERY/PICK-UP DATE AND TIME WILL BE FINALIZED WHEN BALER IS READY TO SHIP.



* On 72" models add 1' to dimensions shown

NOTE: Baler must be 24" away from any wall or other structure.

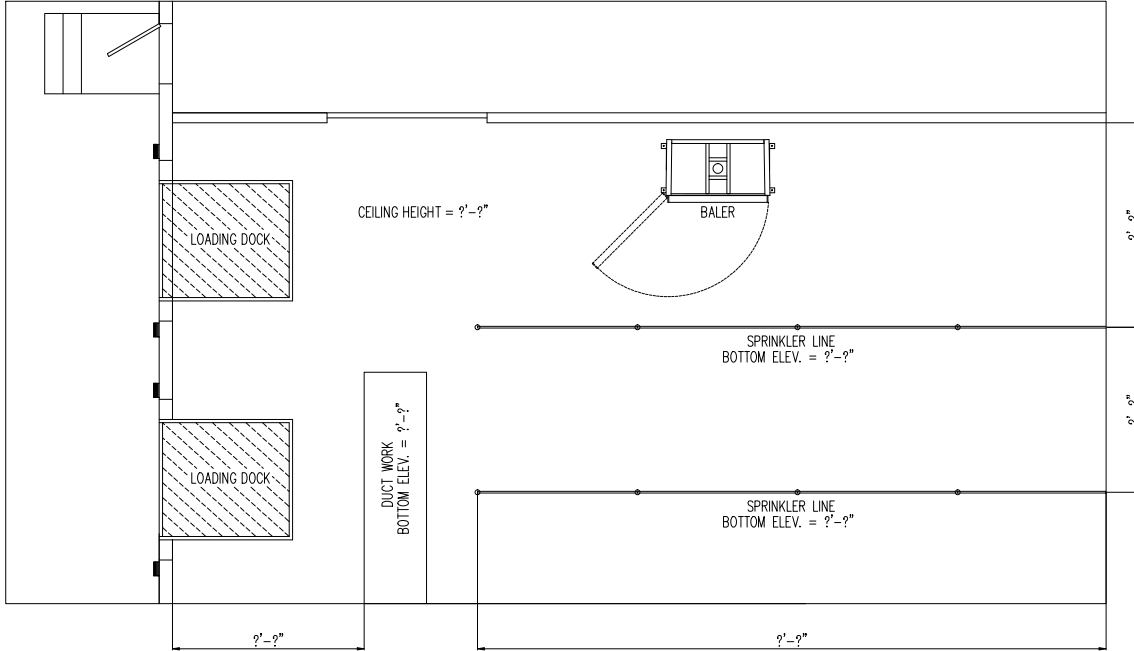
INSTALLATION FORM

YES NO

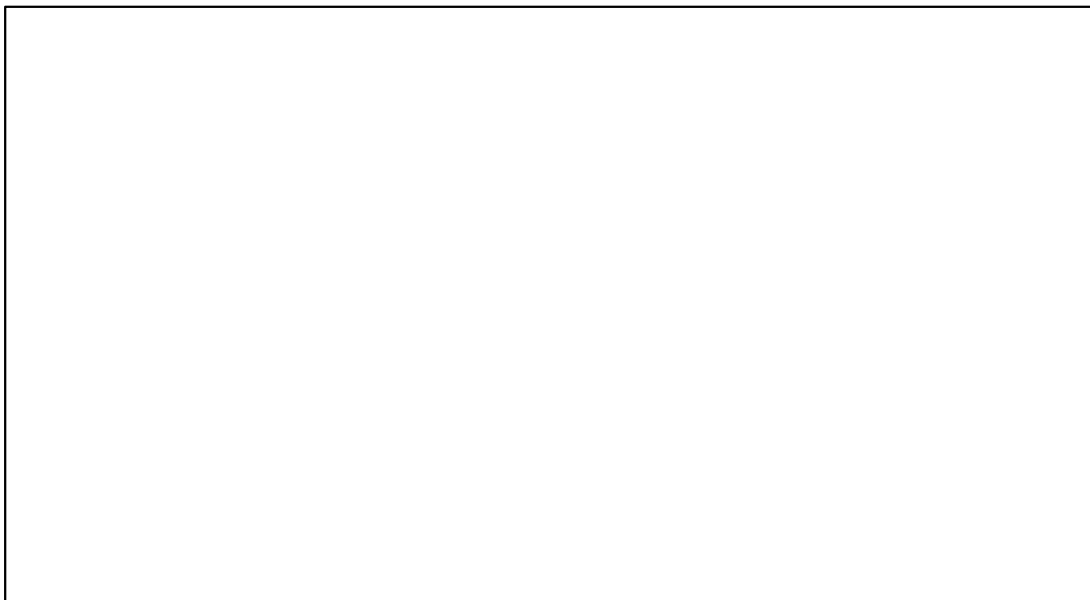
- Do you have a loading dock with 8' wide door?
- Do you have a ground level door or ramp access to a door at least 8' x 8'?
- Do you have at least 14' of ceiling height where Baler will be placed?
- Any obstacles (steps, grade change, overhead pipes)?
- Do we need to remove an existing baler?

| | |
|--|--|
| | |
| | |
| | |
| | |
| | |

Provide a diagram for the proposed location of the baler similar to the drawing shown below



Room where baler will be installed:



Buyer's
Signature _____

Date / /

To complete the order we must receive a signed copy of this document along with a signed copy of the Proposal for this job. PLEASE Fax to 704-325-3537 or Email to chris@gogreenrei.com